



Appreciating Quality Automation

We at "DOLPHIN AUTOMATION" thank you for the purchase of this product and we assure you for our best services.....always!

Digital Humidity Controller

H-K41/M41

Specifications :-

- | | |
|-------------------|----------------------------------|
| 1. Display | .56" 7 segment (4digit) |
| 2. Range | 10 to 95% RH |
| 3. Resolution | <u>0.1 RH</u> |
| 4. Accuracy | +/- 3% (Full Scale) |
| 5- Hysterisis | 0 to 99 RH |
| 6. OFFSET | -9.9 to 9.9 RH |
| 7- Relay Action | HUMIDITY / DEHUMIDITY Selectable |
| 8. Control Action | ON / OFF or Proportional |

CYCLE TIME	: 1-99 Sec
Prop Band	: 0-99°C

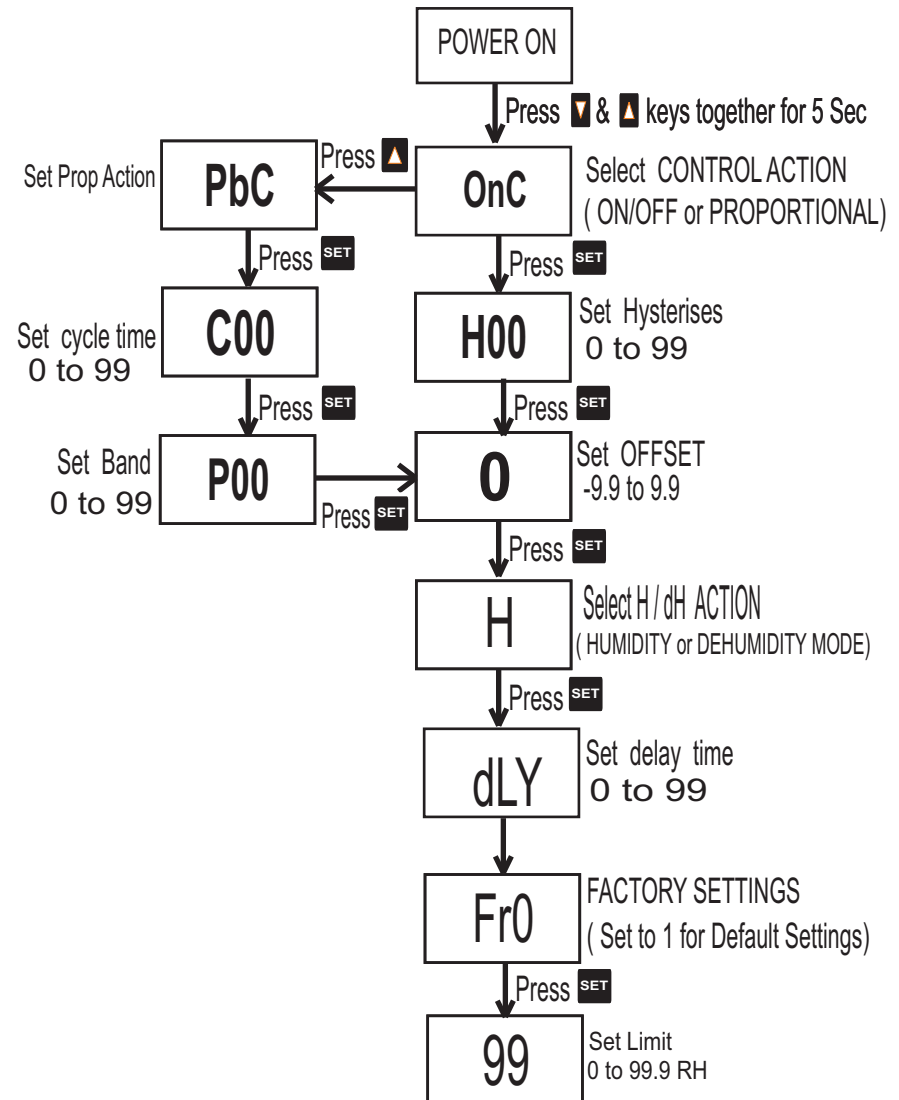
Terminal Connection

- 1-Connect terminals of the controller according to the terminal connections

Sensor Connections

- 1 Connect the sensor according to the terminal connections

Programming the Humidity Controller



NOTE: : AT PROG MODE Process Humidity will not be displayed .

Note: To come out of Programming leave the Keys unpressed for more than 4 seconds.

Programming the Humidity Controller

DIGITAL HUMIDITY CONTROLLER

Specifications :-

- | | |
|-------------------|----------------------------------|
| 1. Display | .56" 7 segment (4digit) |
| 2. Range | 10 to 95% RH |
| 3. Resolution | <u>0.1 RH</u> |
| 4. Accuracy | +/- 3% (Full Scale) |
| 5- Hysterisis | 0 to 99 RH |
| 6. OFFSET | -9.9 to 9.9 RH |
| 7- Relay Action | HUMIDITY / DEHUMIDITY Selectable |
| 8. Control Action | ON / OFF or Proportional |

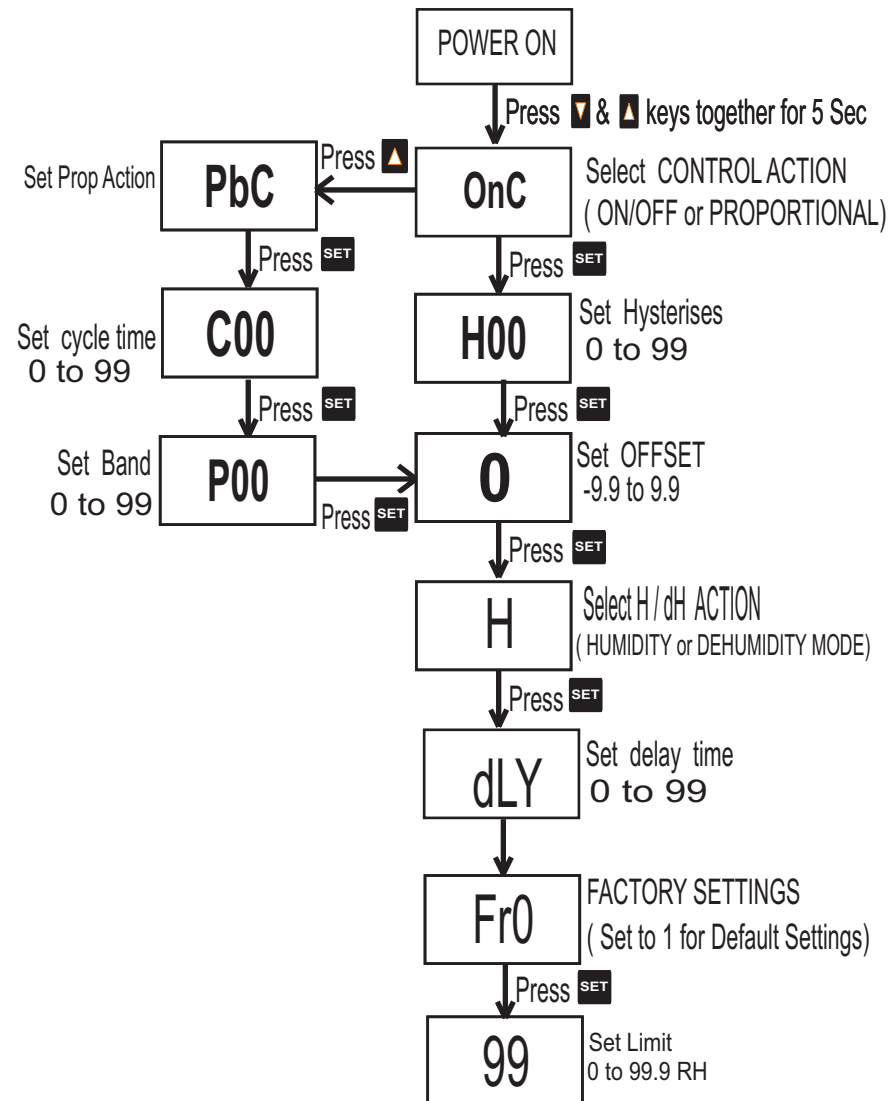
CYCLE TIME	: 1-99 Sec
Prop Band	: 0-99°C

Terminal Connection

- 1-Connect terminals of the controller according to the terminal connections

Sensor Connections

- 1 Connect the sensor according to the terminal connections



NOTE: : AT PROG MODE Process Humidity will not be displayed .
Note: To come out of Programming leave the Keys unpressed for more than 4 seconds.